

P:\SW-Tek\Lotus 8200\

Drawn by: KA	Date: 19-10-2023
Revised: 1 /KA	Date: 31-07-2024
Revised: - /KA	Date: -

Overview parts Lotus

Copyright reserved by law

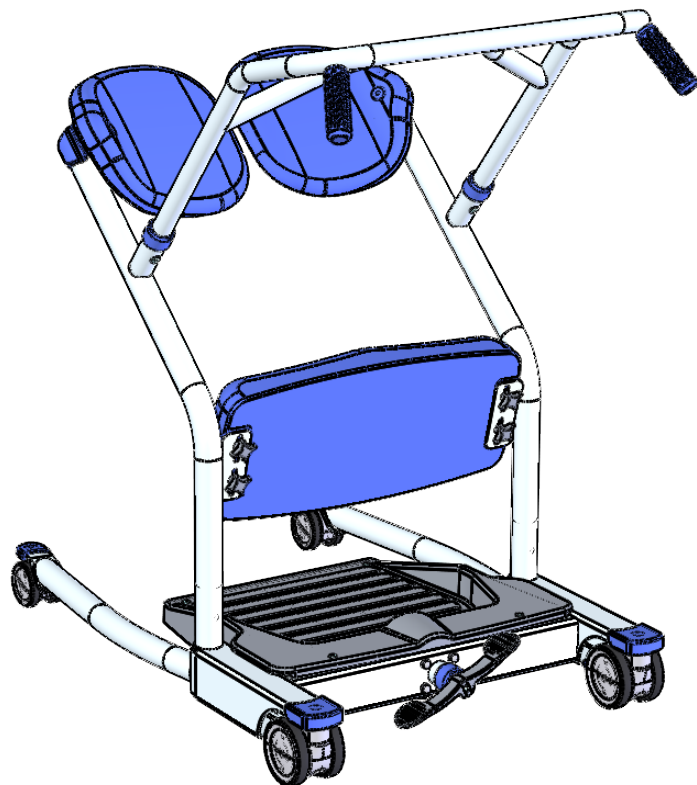
Unit of measurement: mm

Lopital Nederland bv

Draw. no.: 8200-EV.1

Lotus, Article no: 59008200

Part no.	Art.no.	QTY.	Name	Drawing nr.
1	70820001	1	Chassis complete	8200-Chassis complete
2	70820002	1	Seat frame (set)	8200-12.2
3	70820003	1	Frame handgrip	8200-14.1
4	70820004	2	Seat shell	8200-21
5	70820005	2	Cap	8200-22
6	70820012	2	Cap (Set with bearingbush)	8200-23.1
7	70820006	1	Foot Plate	8200-24
8	70820009	2	Tube cap	8200-27
9	70820010	1	Knee support	8200-30.2
10	70820019	4	Lobe knob	Kruisknop M6
11	70560049	2	Handgrip	5600-33.1
12		2	Countersunk cross slotted screw M6x10	M6x10 DIN965
13		4	Button head screw M8x16, Dry-loc+Lurinox	M8x16 ISO7380 Dry-loc+Lurinox
14		2	Button head screw M8x20 flange	M8x20 ISO7380 Kraag
15		4	Nut cap M6	Moerkap M6
16		2	Countersunk cross slotted screw M6x20	M6x20 DIN965 A
17		2	Countersunk cross slotted screw M6x35	M6x35 DIN965 A



Drawn by: KA	Date: 19-10-2023
Revised: 1 /KA	Date: 31-07-2024
Revised: - /KA	Date: -

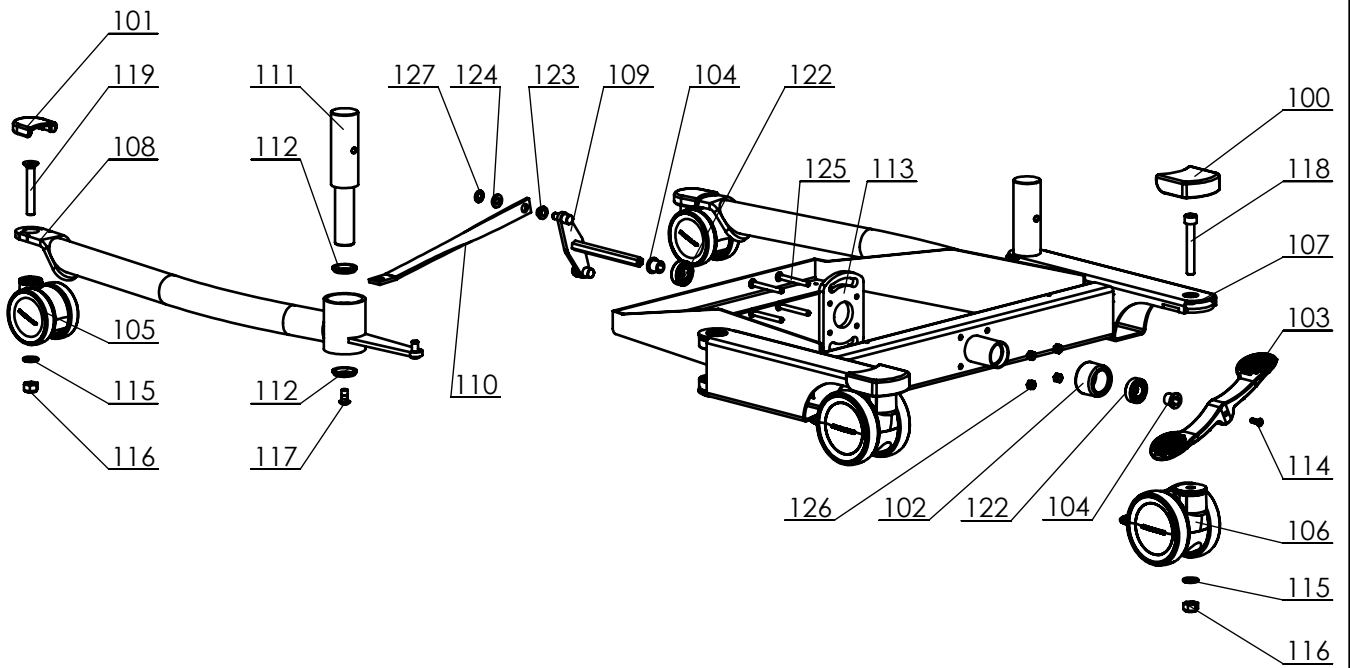
Overview parts Lotus

Copyright reserved
by law

Unit of measure-
ment: mm

Lopital Nederland bv

Draw. no.: 8200-EV.1



P:\SW-Ftek\Lotus 8200\

Drawn by: KA	Date: 19-10-2023
Revised: 1 /KA	Date: 31-07-2024
Revised: - /KA	Date: -

Overview parts Lotus

Copyright reserved by law

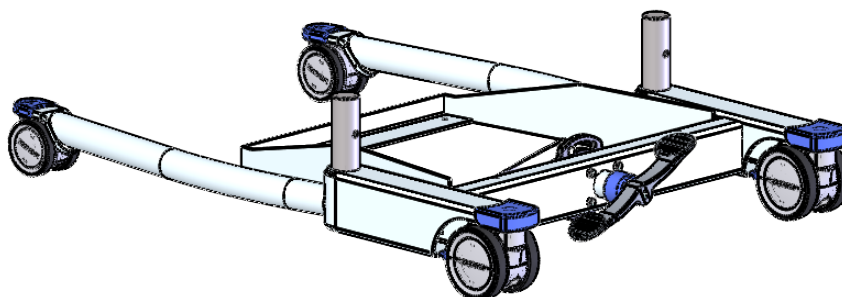
Unit of measurement: mm

Lopital Nederland bv

Draw. no.: 8200-EV.1

Chassis complete, Article no.: 70820001

Part no.	Art.no.	QTY.	Name	Drawing nr.
100	70820008	2	Wheelcap back	8200-25.3
101	70820007	2	Wheelcap front	8200-26.3
102	70820009	1	Tube cap	8200-27
103	70201003	1	Brake pedal	2000-32
104	70820012	2	Bearing bush	8200-29
105	80820024	2	Castor Ø75	Manner-Ø75-Zonder rem
106	80820023	2	Castor Ø100	Manner-Ø100-Met rem-laag
107		1	Chassis	8200-11.3
108		1	Leg set	8200-13.1
109		1	Transmitter	8200-15.1
110		2	Plate	8200-16
111		2	Bush	8200-18
112		4	Washer	8200-19
113		1	Locking plate	8200-20
114		1	Hex socket head screw	M5x16 ISO7380 Dry-loc+Lurinox
115		4	Washer M10	M10 DIN 125
116		4	Locknut M10	M10 DIN985
117		2	Button head screw M8x16, Dry-loc+Lurinox	M8x16 ISO7380 Dry-loc+Lurinox
118		2	Cylinder head screw M10x70	M10x70 DIN912
119		2	Countersunk head screw M10x70	M10x70 DIN7991
120		2	Washer M8 Ø40	Carrosseriering M8x40
121		4	Ball bearing Hinge	radial ball bearing_68_din
122		2	Ball bearing pedal	radial ball bearing_68_din
123		4	Flanged Slide bearing 8x11x6	08x11x07
124		4	Washer M8	M8 DIN 125 PA
125		4	Countersunk head screw M6x55	M6x55 DIN7991
126		4	Locknut M6	M6 DIN985
127		4	Quick lock for axles Ø8	Snelborger 8mm 51445.080.001



Signed	KA	Date	19-10-2023
Revised	1 /KA	Date	31-07-2024
Revised	- /KA	Date	-

Copyright reserved
by law

Unit of measure-
ment: mm

Overview parts Lotus

Lopital Nederland bv

Draw.no. 8200-EV.1